

OCT 25 2021

LABOR RELATIONS



October 22, 2021

Mr. Ivan D. Butts
President
National Association of Postal Supervisors
1727 King Street, Suite 400
Alexandria, VA 22314-2753

Certified Mail Tracking Number:
7020 3160 0002 0328 9986

Dear Ivan:

As a matter of general interest, the Postal Service is currently testing Equipment Monitoring Devices (EMDs) at the Merrifield, VA Processing and Distribution Center (P&DC).

The subject devices are currently monitoring 20 fire extinguisher locations within the Merrifield, Virginia P&DC. The purpose of this test is to serve the following safety-related functions:

- To monitor a clear area using an ultrasonic sensor by measuring sound waves in front of the sensor and alarm the immediate area using lights and sounds if an obstruction is present until the obstruction is removed; and
- To track the inspection interval and alarm the immediate area using lights and sounds in a beeping/flashing pattern if the inspection is missed.

The subject test is expected to conclude on November 19.

Enclosed are the following:

- *Notice of Pilot Testing* concerning the subject devices; and
- Labeled photograph of an EMD.

Please contact Judy Reeder at 3577 if you have any questions concerning this matter.

Sincerely,

A handwritten signature in blue ink, appearing to read "Shannon R. Richardson".

Shannon R. Richardson
Director
Contract Administration (APWU)

Enclosures

NOTICE OF PILOT TESTING

Program Name: Equipment Monitoring Device (EMD)

Site/Location: Merrifield P&DC

Duration: September 20th, 2021 through November 19th, 2021

The Merrifield P&DC will be undergoing pilot testing of the Equipment Monitoring Device (EMD) program. Developed by USPS Engineering Systems, these safety devices serve two (2) main functions:

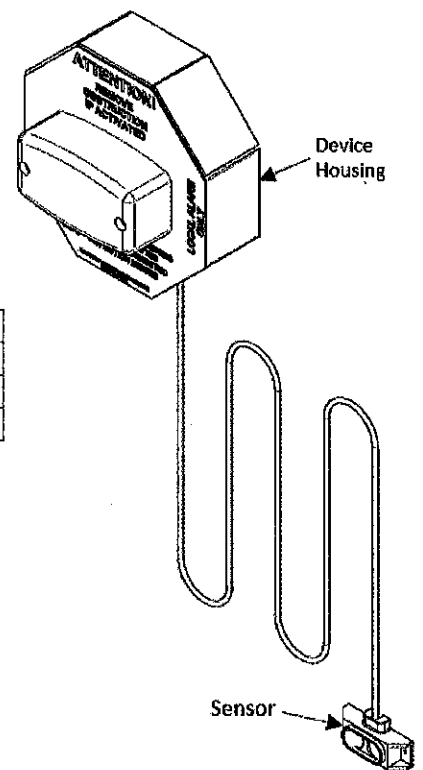
- Monitors a clear area using an ultrasonic sensor by measuring sound waves in front of the sensor and will alarm the immediate area using lights and sound if an obstruction is present until the obstruction is removed
- Keeps track of the inspection interval and will alarm the immediate area using lights and sound in a beeping/flashing pattern if the inspection was missed

There are three different patterns that the device will display depending on the issue. They are as follows:

Pattern	Reason	Remedy/Action
Continuous light and sound	Sensor Obstructed	Remove obstruction
Two (2) flashes and beeps	Sensor Disconnected	Notify maintenance or engineering
Three (3) flashes and beeps	Inspection Missed	Notify maintenance

This information is also depicted on the face label of the device for quick reference. These devices act as a localized alarm meaning that they each act individually and will not all alarm if one is triggered. Furthermore, there are no signals or information that is sent to an outside entity.

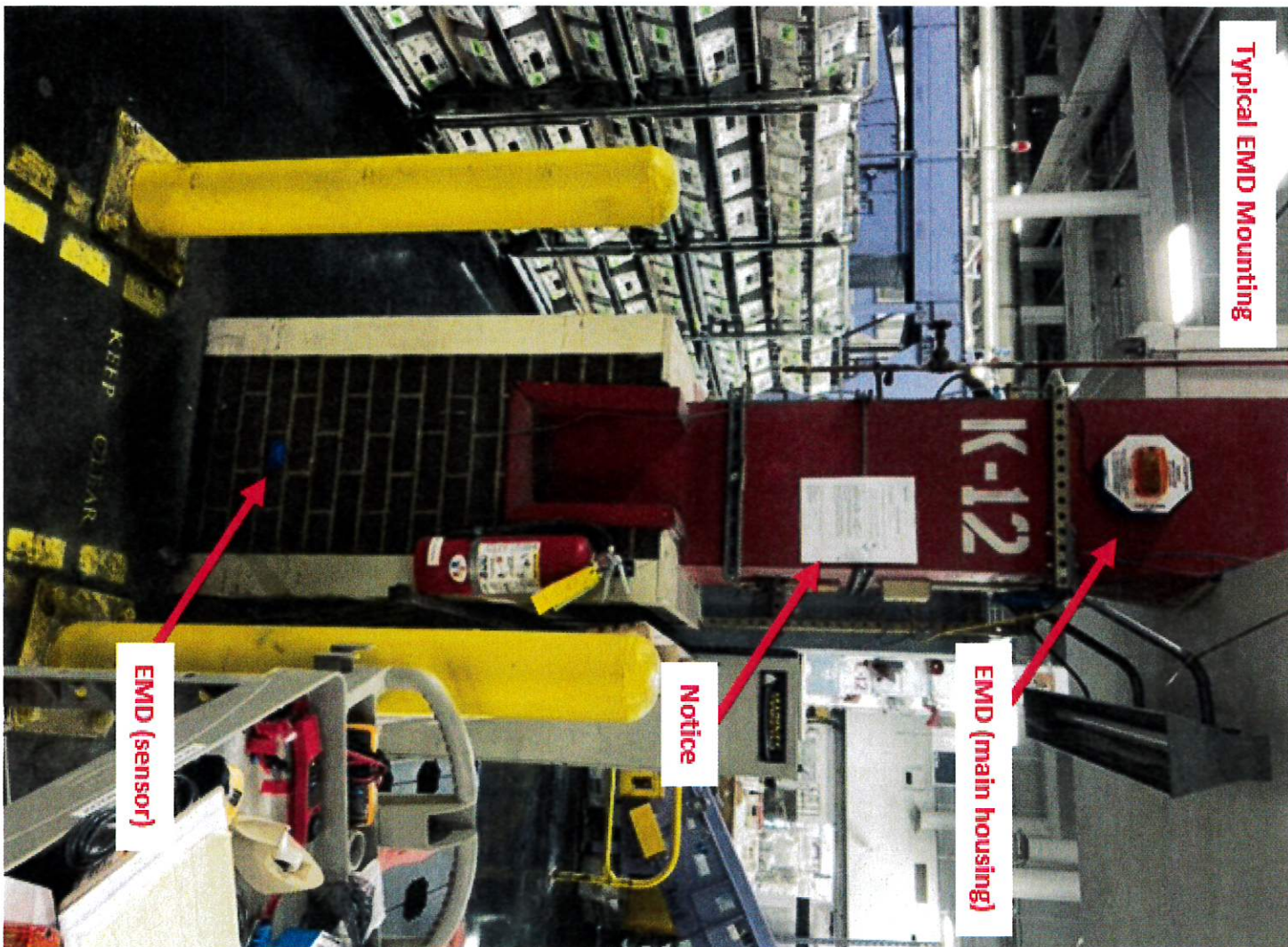
These devices will be monitoring twenty (20) different fire extinguisher locations within the Merrifield P&DC. These locations were chosen based on the frequency of observed obstructions over the last few months. Throughout the duration of the pilot testing period, USPS engineering will periodically check the devices and record data pertaining to device operation.



Your input is appreciated and all questions, comments, and concerns if any can be directed to:

Ryan Hrapsky
 Mechanical Engineer – Sortation Systems Technology
 USPS Engineering Systems
 8403 Lee Highway Merrifield, VA 22082-8101
 Email: ryan.j.hrapsky@usps.gov
 Office Phone: 703.280.7264

Typical EMD Mounting



EMD (sensor)

Notice

EMD (main housing)