



March 27, 2023

RECEIVED  
MAR 29 2023

Mr. Ivan D. Butts  
President  
National Association of Postal  
Supervisors  
1727 King Street, Suite 400  
Alexandria, VA 22314-2753

Dear Ivan:

As a matter of general interest, the Postal Service will be conducting a collection box survey starting on March 27 and ending on April 1. The purpose of the survey is to identify the different types of collection boxes currently in use.

The survey activity is only available on the Mobile Delivery Device-Technical Refresh (MDD-TR). Units that only use MDD-In Office scanners will not see the activity but will be identified so data can be captured with an MDD-TR. All employees that collect mail for a collection box will see this survey once the collection box barcode is scanned. The survey prompt will appear only one time during the survey window. Once the survey is completed for the collection box, the scanner will not prompt the survey again. The survey results will be sent to RIMS for consolidation.

Information concerning the survey is enclosed.

Please contact Bruce Nicholson at extension 7773 if you have questions concerning this matter.

Sincerely,

A handwritten signature in blue ink that reads "James Lloyd".

James Lloyd  
Director  
Labor Relations Policies and Programs

Enclosure

## MDD TR Release 7.73

### National Deployment – March 27, 2023

- CPMS Collection Box Survey
  - Survey is scheduled for March 27 through April 1, 2023





## CPMS Collection Box Type Of CPMS Box Survey

### Background

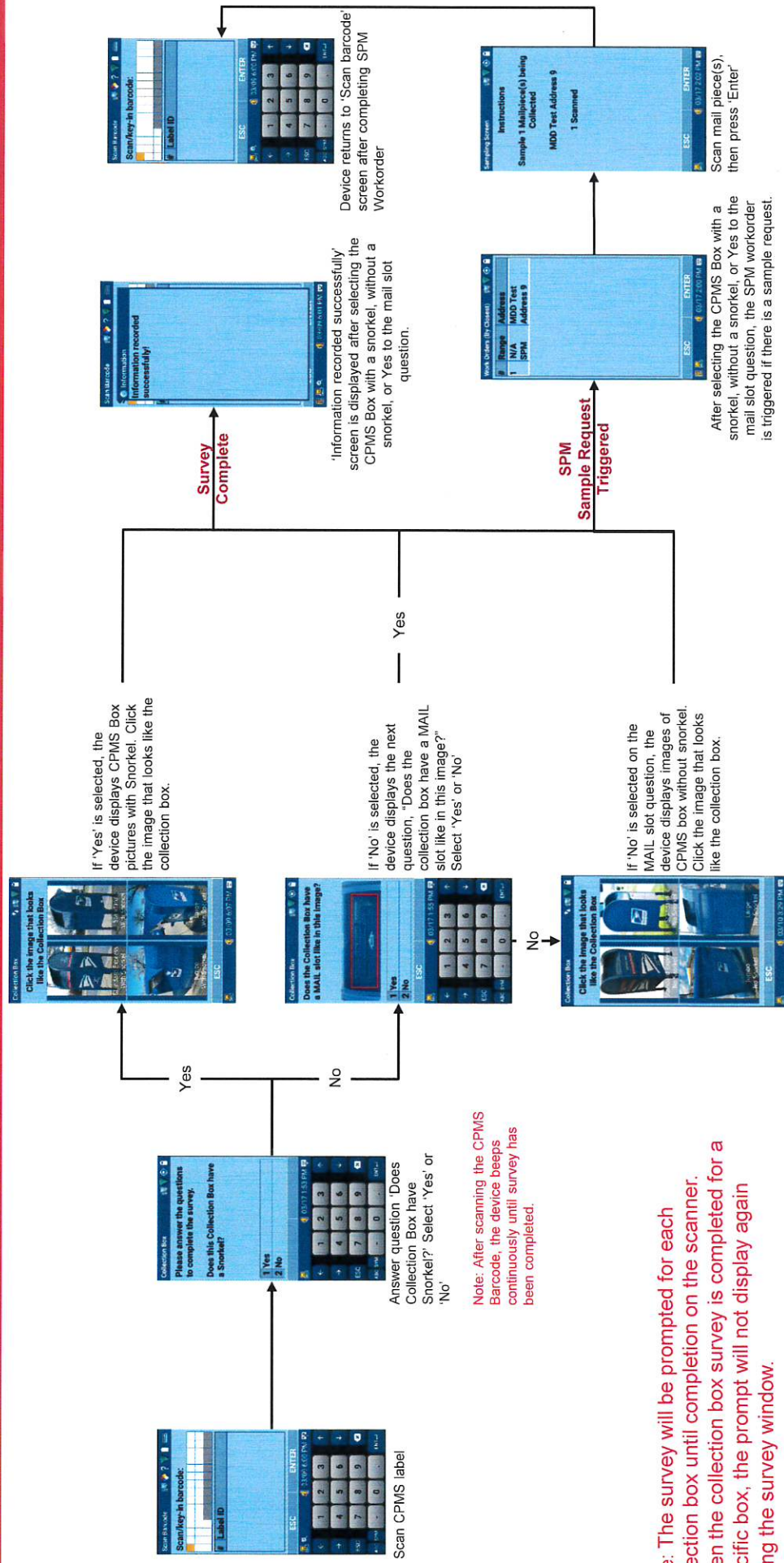
There are over 141,000 collection boxes in use by the USPS around the country for mail collection purposes. The locations are known, however, the different types of collection boxes need to be identified.

### Changes on MDD

A brief survey has been created on the MDD TR to identify the types of collections boxes currently in use.

- Upon scanning the CPMS barcode, the question "Does this Collection Box have a Snorkel?" will be presented.
  - If 'Yes' is selected, pictures of collection boxes with a snorkel will be displayed with the message, "Click the image that looks like the Collection Box." After selecting the image, the survey is complete and record will be sent to RIMS after scanner is cradled.
  - If 'No' is selected, the image of the new high security collection box with the mail slot will display, and question "Does the Collection box have a MAIL slot like in this image?" will be prompted.
    - If 'Yes' is selected, the survey is complete and survey data will be sent to RIMS after scanner is cradled.
    - If 'No' is selected, images of collection boxes without snorkels will display with the message "Click the image that looks like the Collection Box." After selecting the image, the survey is complete and survey data will be sent to RIMS after cradled.
- If there is a sample request at the same collection box for the day, the SPM sample request will be triggered after the survey.
- Upon starting the survey at each collection box, the device will beep continuously until the survey has been completed.
- The survey will be prompted after scanning the CPMS label for each collection box until completion on the scanner. When the collection box survey is completed for a specific box, the prompt will not display again during the survey window.

# CPMS Collection Box Type Of CPMS Box Survey



**Note:** After scanning the CPMS Barcode, the device beeps continuously until survey has been completed.

**Note:** The survey will be prompted for each collection box until completion on the scanner. When the collection box survey is completed for a specific box, the prompt will not display again during the survey window.

## Images of Box Types

With snorkel:



Without snorkel:

